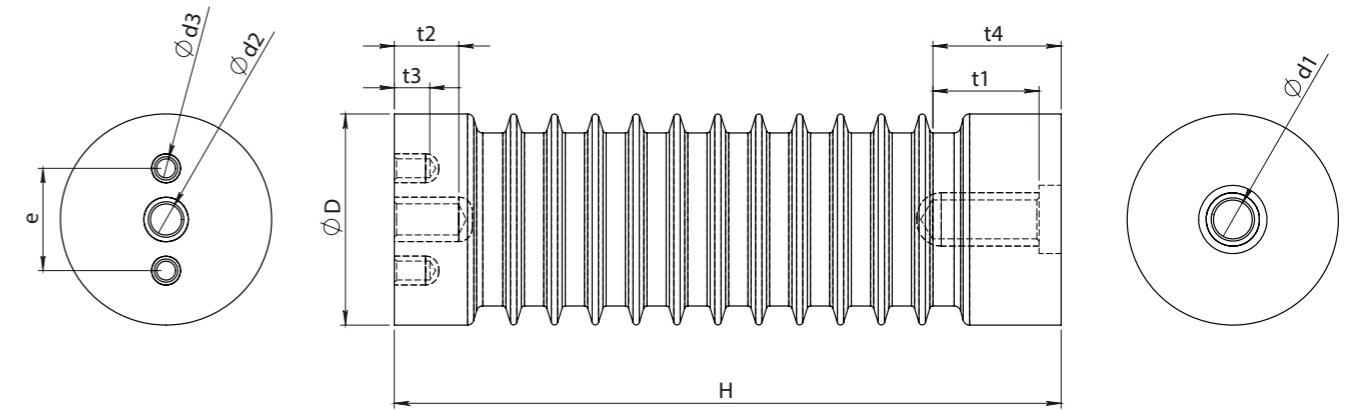




 **EA2ENERGY**

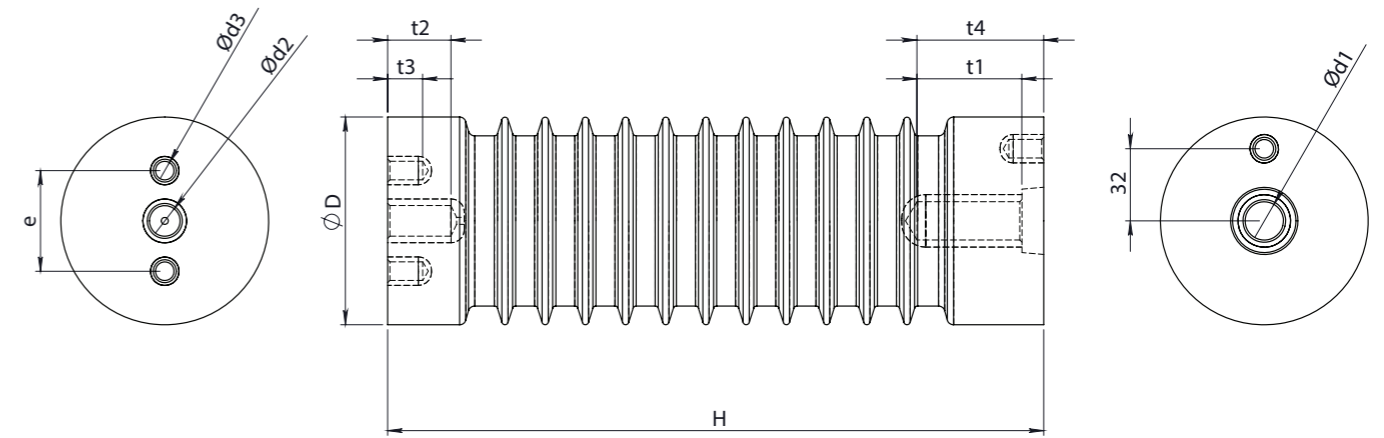
www.ea2energy.com

INDOOR POST INSULATOR

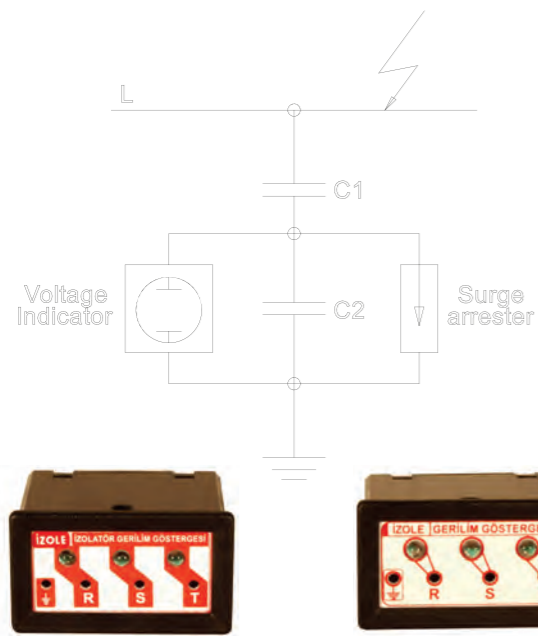


| TYPE | um (Kv) | Min. Bending (N) | Dimensions (mm) | | | | | | | | | | |
|-------------------|---------|------------------|-----------------|-----|----|-----|-----|-----|----|----|----|-----|---------------|
| | | | H | ØD | e | d1 | d2 | d3 | t1 | t2 | t3 | t4 | Min. Creepage |
| 1N-500 | 3 | 5000 | 60 | 55 | - | M10 | M10 | - | 17 | 17 | - | 17 | 80 |
| 1N-750 | 3,6 | 5000 | 80 | 83 | - | M10 | M10 | - | 17 | 17 | - | 17 | 105 |
| 1N-1000 | 5 | 10000 | 80 | 83 | - | M12 | M12 | - | 20 | 20 | - | 20 | 125 |
| 10S-500(J06-60) | 7,2 | 6000 | 95 | 58 | 36 | M16 | M12 | M6 | 27 | 21 | 12 | 30 | 130 |
| 10S-1000(J10-60) | | 10000 | 95 | 71 | 46 | M16 | M16 | M10 | 27 | 27 | 17 | 30 | 130 |
| 10N-500(J06-75) | 12 | 6000 | 130 | 63 | 36 | M16 | M12 | M6 | 32 | 21 | 12 | 40 | 190 |
| 10N-1000(J10-75) | | 10000 | 130 | 76 | 46 | M20 | M16 | M10 | 37 | 32 | 17 | 45 | 185 |
| 15N-500(J06-95) | 17,5 | 6000 | 175 | 70 | 36 | M16 | M12 | M6 | 32 | 21 | 12 | 45 | 250 |
| 15N-1000(J10-95) | | 10000 | 175 | 83 | 46 | M20 | M16 | M10 | 37 | 32 | 17 | 50 | 250 |
| 20N-500(J06-125) | 24 | 6000 | 210 | 75 | 36 | M16 | M12 | M6 | 32 | 21 | 12 | 40 | 335 |
| 20N-1000(J10-125) | | 10000 | 210 | 85 | 46 | M20 | M16 | M10 | 37 | 32 | 17 | 50 | 320 |
| 30N-500(J06-170) | 36 | 6000 | 300 | 80 | 36 | M16 | M12 | M6 | 32 | 21 | 12 | 45 | 495 |
| 30N-1000(J10-170) | | 10000 | 300 | 95 | 46 | M24 | M16 | M10 | 57 | 32 | 17 | 70 | 435 |
| 30N-1000(J10-170) | | 10000 | 330 | 95 | 46 | M24 | M16 | M10 | 57 | 32 | 17 | 70 | 480 |
| 40N-1000 | | 10000 | 360 | 100 | 46 | M24 | M16 | M10 | 57 | 32 | 17 | 70 | 940 |
| J08-325 | 72,5 | 8000 | 620 | 120 | 66 | M24 | M16 | M12 | 57 | 32 | 21 | 90 | 1020 |
| J08-325 | | 8000 | 700 | 150 | 66 | M24 | M16 | M12 | 57 | 32 | 21 | 110 | 1650 |

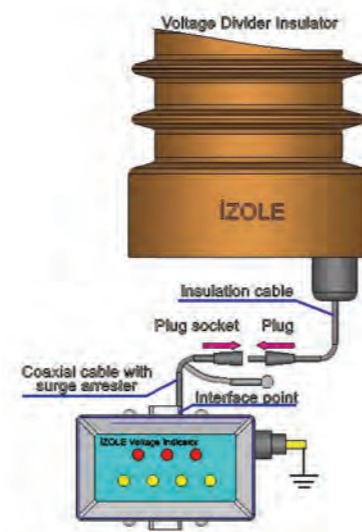
CAPACITIVE DIVIDER INSULATOR



Capacitance-Coupled Voltage Indication system

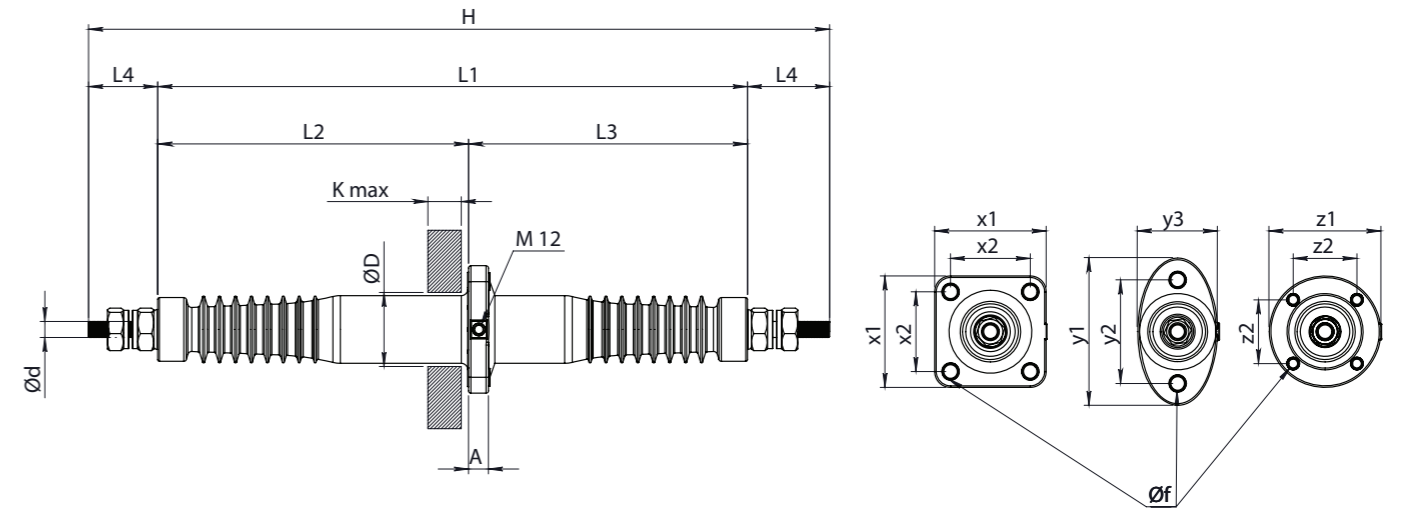


Connection Diagram



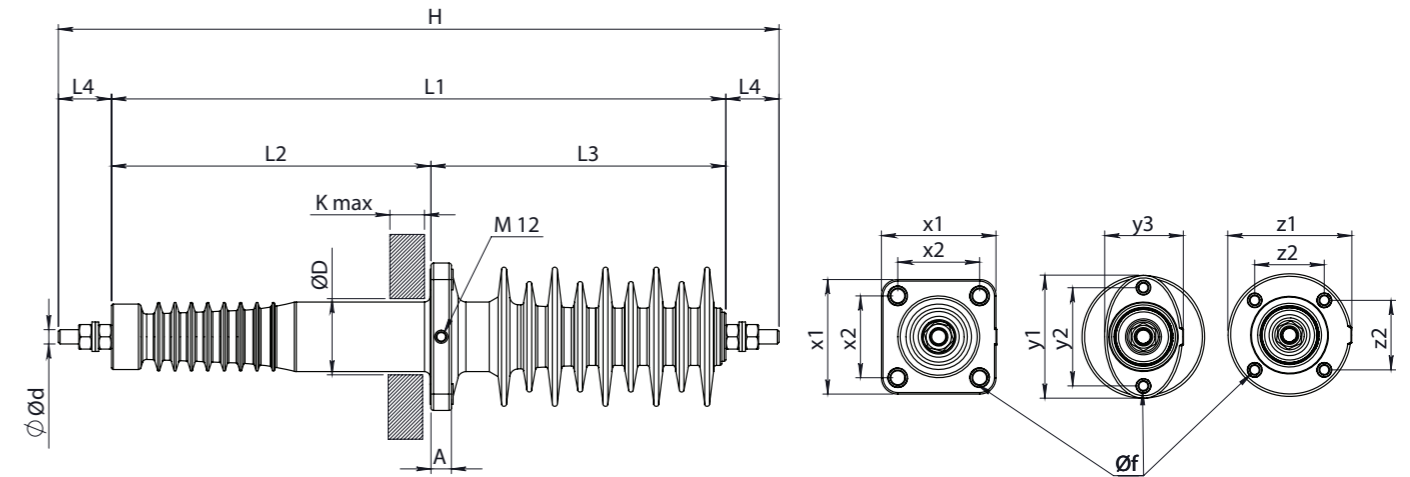
| TYPE | Capacitance (LCR Meter) (Pf) | um (Kv) | Min. Bending (N) | Dimensions (mm) | | | | | | | | | | |
|---------|------------------------------|---------|------------------|-----------------|----|----|-----|-----|-----|----|----|----|----|---------------|
| | | | | H | ØD | e | d1 | d2 | d3 | t1 | t2 | t3 | t4 | Min. Creepage |
| DKA-10N | 18 ± 10% | 12 | 5000 | 130 | 76 | 36 | M16 | M12 | M6 | 25 | 25 | 9 | 37 | 190 |
| DKB-10N | | | 1000 | 130 | 76 | 46 | M20 | M16 | M10 | 25 | 25 | 12 | 47 | 190 |
| DKA-20S | 13 ± 10% | 17,5 | 5000 | 175 | 83 | 36 | M16 | M12 | M6 | 25 | 25 | 9 | 37 | 250 |
| DKB-20S | | | 10000 | 175 | 83 | 46 | M20 | M16 | M10 | 35 | 25 | 12 | 47 | 250 |
| DKA-20N | 9 ± 10% | 24 | 5000 | 210 | 85 | 36 | M16 | M12 | M6 | 25 | 25 | 9 | 37 | 335 |
| DKB-20N | | | 10000 | 210 | 85 | 46 | M20 | M16 | M10 | 40 | 25 | 12 | 52 | 320 |
| DKA-30N | 7,5 ± 10% | 36 | 5000 | 300 | 95 | 36 | M16 | M12 | M6 | 35 | 25 | 9 | 47 | 435 |
| DKB-30N | | | 10000 | 300 | 95 | 46 | M24 | M16 | M10 | 45 | 25 | 12 | 57 | 435 |
| DKB-30N | | | 10000 | 330 | 95 | 46 | M24 | M16 | M10 | 45 | 25 | 12 | 57 | 480 |

INDOOR TO INDOOR BOLT BUSHING



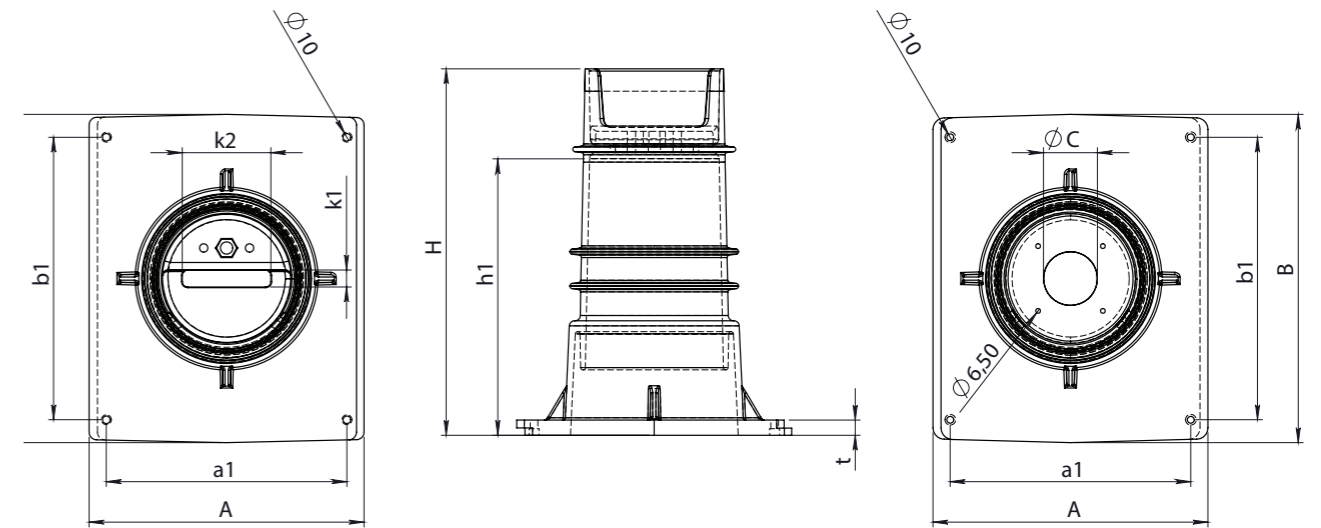
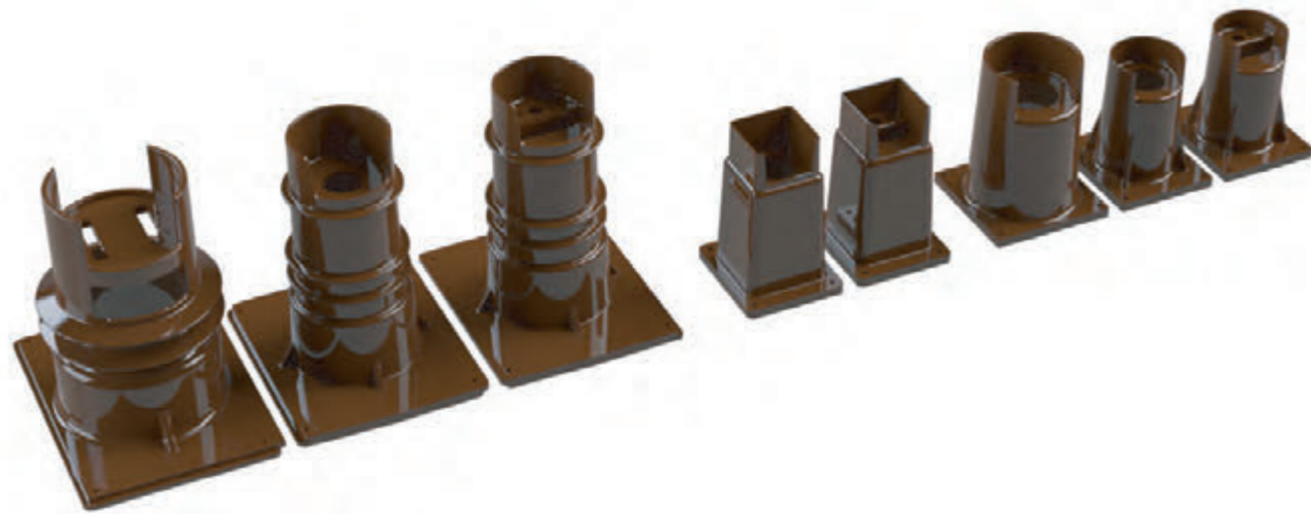
| TYPE | um (Kv) | Min. Bending (N) | Rated Current (A) | Dimensions (mm) | | | | | | | | | | | | | | | | | |
|---------|---------|------------------|-------------------|-----------------|-----|-----|-----|----|-----|-----|----|----|-----|-----|-----|-----|-----|-------|----|----|--|
| | | | | H | L1 | L2 | L3 | L4 | ØD | Ød | A | K | x1 | x2 | y1 | y2 | y3 | z1(Ø) | z2 | Øf | |
| DDGB-12 | 12 | 3750 | 100-250 | 385 | | | | | 45 | M12 | | | | | | | | | | | |
| | | | 400 | 395 | | | | 50 | M16 | | | | | | | | | | | | |
| | | | 630 | 415 | 295 | 165 | 130 | 60 | 60 | M20 | 20 | 50 | 135 | 100 | 135 | 100 | 85 | 130 | 70 | 11 | |
| | | | 800 | 435 | | | | 70 | 60 | M24 | | | | | | | | | | | |
| | | | 1000 | 455 | | | | 80 | 60 | M28 | | | | | | | | | | | |
| DDGB-15 | 17,5 | 3750 | 100-250 | 510 | | | | 45 | M12 | | | | | | | | | | | | |
| | | | 400 | 520 | | | | 50 | M16 | | | | | | | | | | | | |
| | | | 630 | 540 | 420 | 210 | 210 | 60 | 68 | M20 | 20 | 55 | 140 | 100 | 185 | 130 | 100 | 135 | 75 | 13 | |
| | | | 800 | 560 | | | | 70 | 68 | M24 | | | | | | | | | | | |
| | | | 1000 | 580 | | | | 80 | 68 | M28 | | | | | | | | | | | |
| DDGB-20 | 24 | 3750 | 100-250 | 605 | | | | 45 | M12 | | | | | | | | | | | | |
| | | | 400 | 615 | | | | 50 | M16 | | | | | | | | | | | | |
| | | | 630 | 635 | 515 | 275 | 240 | 60 | 70 | M20 | 22 | 60 | 140 | 100 | 185 | 130 | 100 | 140 | 80 | 15 | |
| | | | 800 | 655 | | | | 70 | 70 | M24 | | | | | | | | | | | |
| | | | 1000 | 675 | | | | 80 | 70 | M28 | | | | | | | | | | | |
| DDGB-30 | 36 | 3750 | 100-250 | 830 | | | | 45 | M12 | | | | | | | | | | | | |
| | | | 400 | 840 | | | | 50 | M16 | | | | | | | | | | | | |
| | | | 630 | 860 | 740 | 390 | 350 | 60 | 85 | M20 | 25 | 60 | 160 | 120 | 200 | 150 | 120 | 160 | 90 | 17 | |
| | | | 800 | 880 | | | | 70 | 85 | M24 | | | | | | | | | | | |
| | | | 1000 | 900 | | | | 80 | 85 | M28 | | | | | | | | | | | |
| | | | 1250 | 920 | | | | 90 | M30 | | | | | | | | | | | | |

OUTDOOR TO INDOOR BOLT BUSHING



| TYPE | um (Kv) | Min. Bending (N) | Rated Current (A) | Dimensions (mm) | | | | | | | | | | | | | | | | |
|---------|---------|------------------|-------------------|-----------------|-----|-----|-----|-----|-----|-----|----|-----|-----|-----|-----|-----|-----|-------|----|----|
| | | | | H | L1 | L2 | L3 | L4 | ØD | Ød | A | K | x1 | x2 | y1 | y2 | y3 | z1(Ø) | z2 | Øf |
| HDGB-12 | 12 | 3750 | 100-250 | 450 | | | | | 50 | M12 | | | | | | | | | | |
| | | | 400 | 470 | | | | 60 | M16 | | | | | | | | | | | |
| | | | 630 | 490 | 350 | 175 | 175 | 70 | M20 | 21 | 50 | 130 | 100 | 135 | 100 | 85 | 130 | 70 | 11 | |
| | | | 800 | 530 | | | | 90 | M24 | | | | | | | | | | | |
| | | | 1000 | 560 | | | | 105 | M28 | | | | | | | | | | | |
| HDGB-15 | 17,5 | 3750 | 100-250 | 555 | | | | 50 | M12 | | | | | | | | | | | |
| | | | 400 | 575 | | | | 60 | M16 | | | | | | | | | | | |
| | | | 630 | 595 | 455 | 210 | 245 | 70 | M20 | 23 | 55 | 145 | 110 | 145 | 115 | 95 | 145 | 83 | 13 | |
| | | | 800 | 635 | | | | 90 | M24 | | | | | | | | | | | |
| | | | 1000 | 665 | | | | 105 | M28 | | | | | | | | | | | |
| HDGB-20 | 24 | 3750 | 100-250 | 665 | | | | 50 | M12 | | | | | | | | | | | |
| | | | 400 | 685 | | | | 60 | M16 | | | | | | | | | | | |
| | | | 630 | 705 | 565 | 270 | 295 | 70 | M20 | 25 | 55 | 150 | 115 | 150 | 120 | 95 | 150 | 85 | 15 | |
| | | | 800 | 745 | | | | 90 | M24 | | | | | | | | | | | |
| | | | 1000 | 775 | | | | 105 | M28 | | | | | | | | | | | |
| HDGB-30 | 36 | 3750 | 100-250 | 850 | | | | 50 | M12 | | | | | | | | | | | |
| | | | 400 | 870 | | | | 60 | M16 | | | | | | | | | | | |
| | | | 630 | 890 | 750 | 390 | 360 | 70 | M20 | 28 | 60 | 180 | 140 | 200 | 150 | 120 | 160 | 90 | 17 | |
| | | | 800 | 930 | | | | 90 | M24 | | | | | | | | | | | |
| | | | 1000 | 960 | | | | 105 | M28 | | | | | | | | | | | |
| | | | 1250 | 980 | | | 115 | M30 | | | | | | | | | | | | |

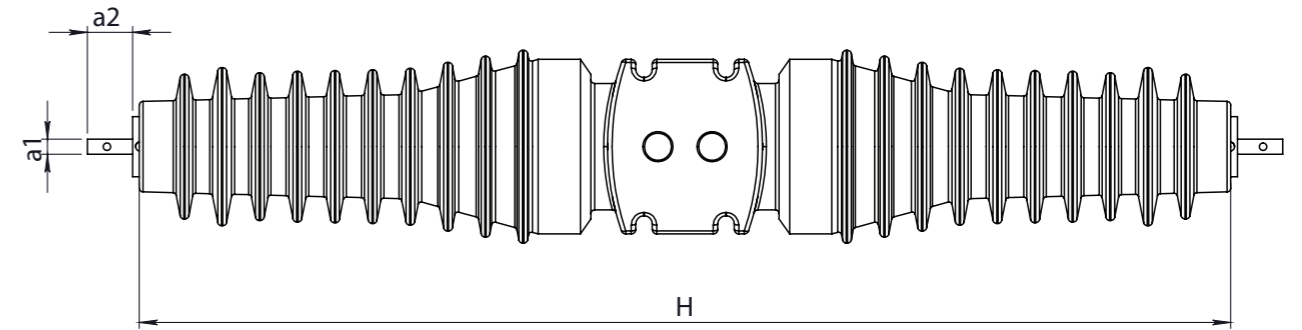
WALL BUSHING



| TYPE | um (Kv) | Min. Bending (N) | Rated Current (A) | Dimensions (mm) | | | | | | | | | |
|------------|---------|------------------|-------------------|-----------------|-----|-----|-----|-----|-----|----|-----|----|--|
| | | | | A | B | a1 | b1 | H | h1 | k1 | k2 | t | |
| 1250WB-150 | | | 150 | | | | | | | | | | |
| 1250WB-160 | 12 | 4000 | 630-1250 | 160 | 240 | 115 | 210 | 265 | 200 | 21 | 108 | 20 | |
| 1250WB-210 | | | 210 | | | | | | | | | | |
| 1250WB-200 | 24 | 4000 | 630-1250 | 200 | 240 | 190 | 190 | 325 | 235 | 23 | 102 | 20 | |
| 1250WB-360 | 36 | 4000 | 630-1250 | 360 | 430 | 370 | 370 | 480 | 370 | 23 | 115 | 20 | |

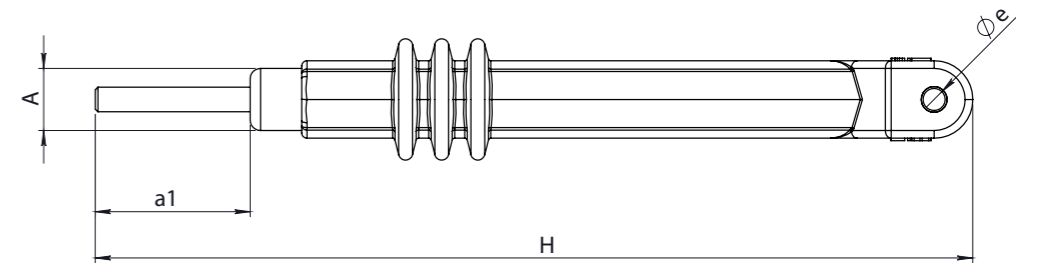
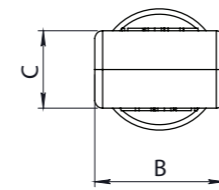
| TYPE | um (Kv) | Min. Bending (N) | Rated Current (A) | Dimensions (mm) | | | | | | | | | |
|------------|---------|------------------|-------------------|-----------------|-----|-----|-----|-----|-----|--------------|---|----|--|
| | | | | A | B | a1 | b1 | H | h1 | C | t | | |
| 2500WB-150 | | | 150 | | | 115 | | | | | | | |
| 2500WB-160 | 12 | 4000 | 2500 | 160 | 240 | 125 | 210 | 265 | 200 | Ø36-Ø48 | | 20 | |
| 2500WB-210 | | | 210 | | | 180 | | | | Ø80-Ø110 | | | |
| 2500WB-200 | 24 | 4000 | 2500 | 200 | 225 | 160 | 190 | 325 | 235 | Ø48-Ø70-Ø80 | | 20 | |
| 2500WB-285 | | | | 285 | 370 | 240 | 310 | | | | | | |
| 2500WB-360 | 36 | 4000 | 2500 | 360 | 430 | 315 | 370 | 480 | 370 | Ø48-Ø70-Ø110 | | 20 | |

ROTARY DISCONNECTOR



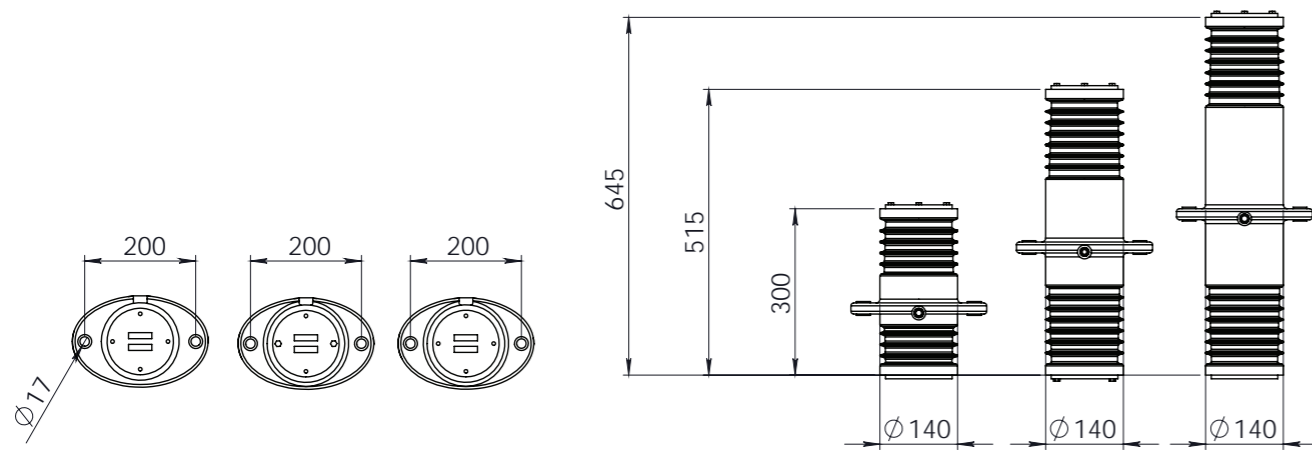
| TYPE | um (Kv) | Rated Current (A) | Dimensions (mm) | | | | |
|-----------|---------|-------------------|-----------------|----|----|------|------|
| | | | H | a1 | a2 | a3 | b(Ø) |
| 12RT-630 | 12 | 630 | 525 | 10 | 30 | 35,5 | 20 |
| 24RT-1250 | 12 | 1250 | 525 | 10 | 30 | 65,8 | 30 |
| 24RT-2000 | 12 | 2000 | 525 | 10 | 30 | 80 | 40 |
| 24RT-630 | 24 | 630 | 625 | 10 | 30 | 35,5 | 20 |
| 24RT-1250 | 24 | 1250 | 625 | 10 | 30 | 65,8 | 30 |
| 24RT-2000 | 24 | 2000 | 625 | 10 | 30 | 80 | 40 |
| 36RT-630 | 36 | 630 | 725 | 10 | 30 | 35,5 | 20 |
| 36RT-1250 | 36 | 1250 | 725 | 10 | 30 | 65,8 | 30 |
| 36RT-2000 | 36 | 2000 | 725 | 10 | 30 | 80 | 40 |

PUSHER INSULATOR

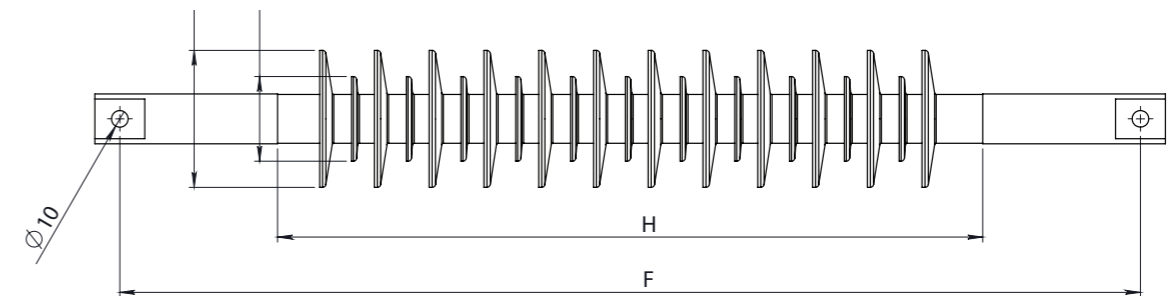
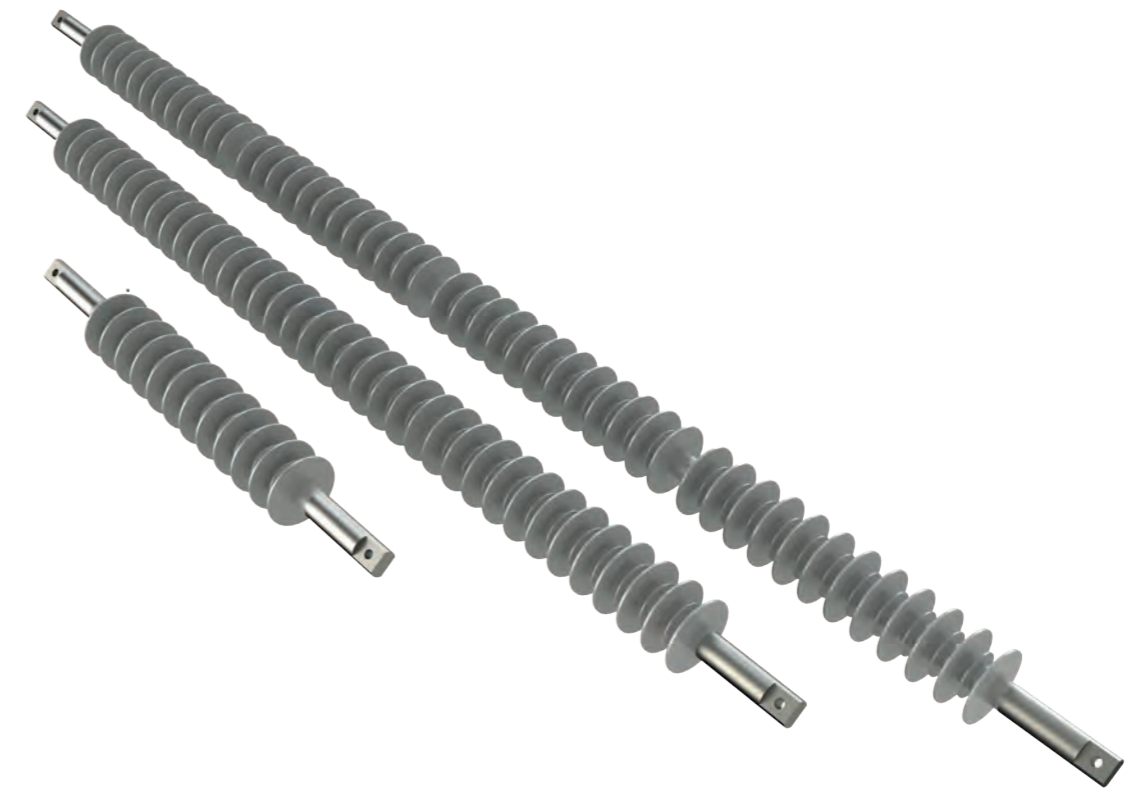


| TYPE | um (Kv) | Dimensions (mm) | | | | | | |
|--------|---------|-----------------|------|----|----|----------|------|-------------------|
| | | H | A(Ø) | B | C | a1 | e(Ø) | Krepaj (Creepage) |
| PUSHER | 6,2 | 165 | 30 | 50 | 30 | M10 x 60 | 8,5 | 115 |
| PUSHER | 12 | 260 | 30 | 50 | 30 | M10 x 60 | 8,5 | 200 |
| PUSHER | 24 | 340 | 30 | 50 | 30 | M10 x 60 | 8,5 | 300 |
| PUSHER | 36 | 440 | 30 | 50 | 30 | M10 x 60 | 8,5 | 470 |

BARA BUSHING



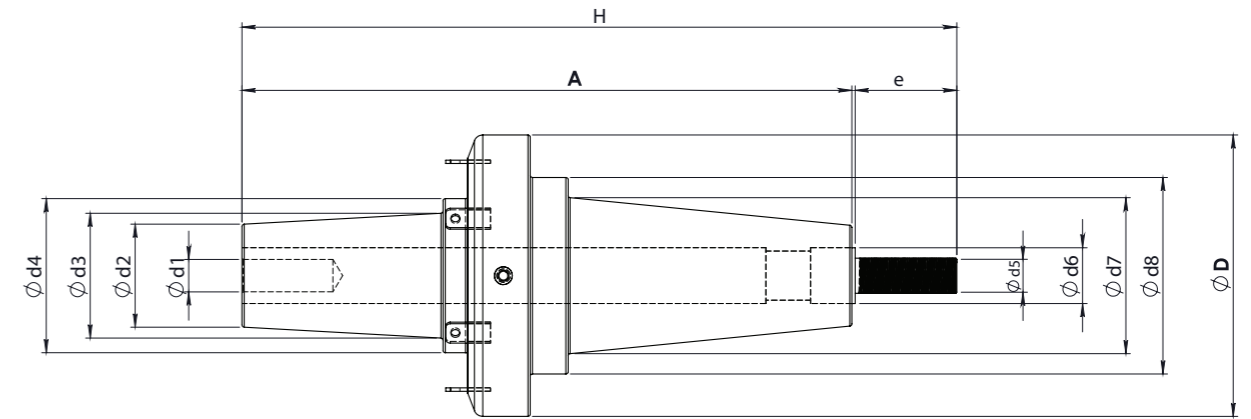
SILICON INSULATOR



| Type (kV) | H (mm) | F (mm) | Creepage (mm) |
|-----------|--------|--------|---------------|
| 36 | 6,2 | 615 | 1250 |
| 145 | 12 | 1410 | 3585 |
| 170 | 24 | 1815 | 4780 |

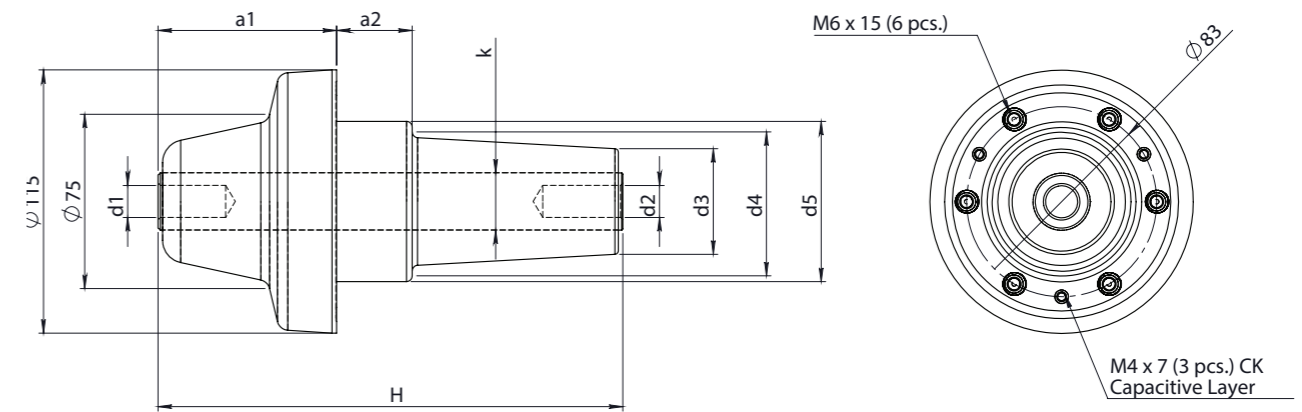


PLUG-IN TYPE BUSHING FOR AIR SF6 (RMU) SYSTEMS



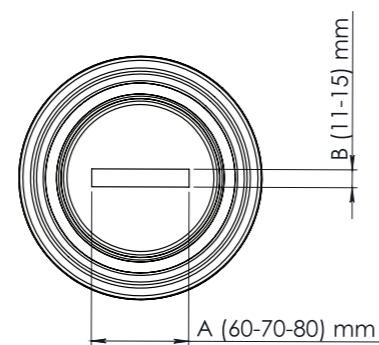
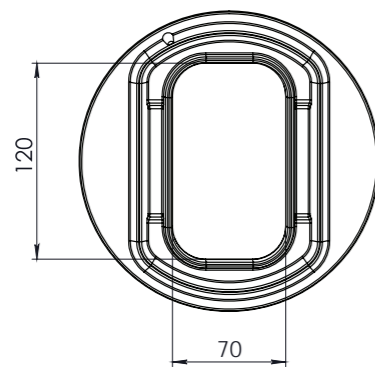
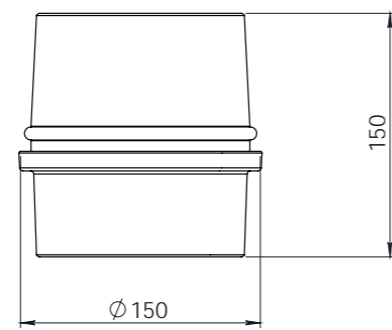
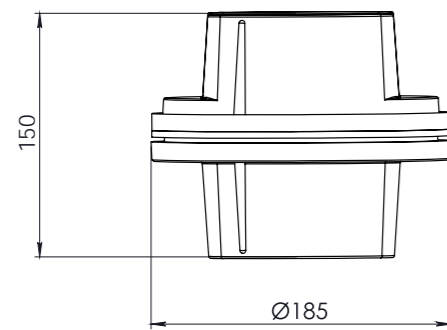
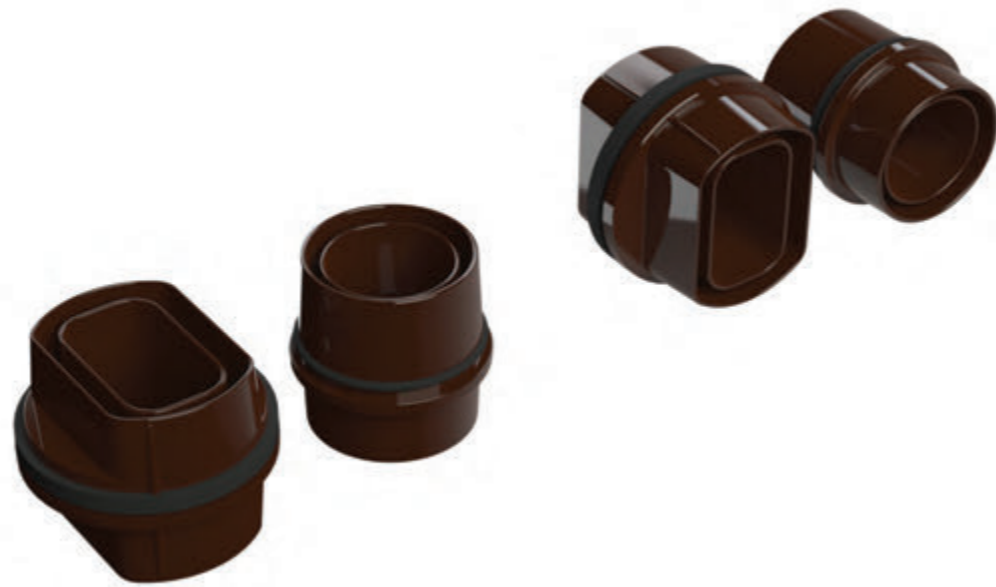
| TYPE | Voltage (Ur) kV | Current Ir (A) | H | A | D | e | d1 | d2 | d3 | d4 | d5 | d6 | d7 | d8 |
|------------|-----------------|----------------|-----|-----|-----|----|-----|----|------|------|-----|----|----|------|
| PT-TRB-250 | 12-24 | 250 | 222 | 169 | 110 | 19 | Ø8 | 31 | 32,4 | 48,5 | M10 | 16 | 54 | 74 |
| PT-TRB-400 | 12-24-36 | 400 | 330 | 273 | 128 | 40 | Ø14 | 46 | 56 | 70 | M12 | 20 | 70 | 87,5 |
| PT-TRB-600 | 12-24-36 | 630 | 330 | 273 | 128 | 40 | M16 | 46 | 56 | 70 | M16 | 25 | 70 | 87,5 |

PLUG-IN TYPE BUSHING FOR TRANSFORMERS



| TYPE | Voltage (Ur) kV | Current Ir (A) | H | a1 | a2 | d1 | d2 | d3 | d4 | d5 | k |
|----------|-----------------|----------------|-------|----|------|-----|-----|----|------|----|----|
| PT-RMB-S | 12-24 | 200-400 | 149,5 | 78 | 19,5 | M10 | M10 | 31 | 32,5 | 70 | 20 |
| PT-RMB-1 | 12-24-36 | 400 | 203 | 78 | 33 | M10 | M10 | 46 | 56 | 70 | 22 |
| PT-RMB-2 | 12-24-36 | 630 | 203 | 78 | 33 | M10 | M16 | 46 | 56 | 70 | 22 |
| PT-RMB-3 | 12-24-36 | 800 | 203 | 78 | 33 | M16 | M16 | 46 | 56 | 70 | 25 |

IKG BUSHING



VACUUM BREAKER

