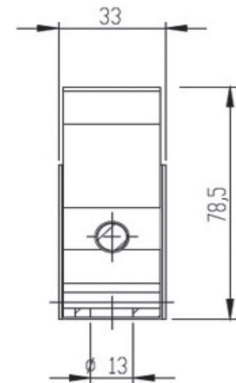
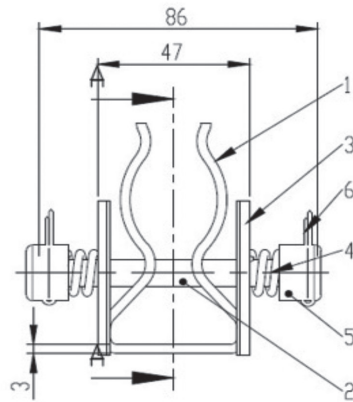
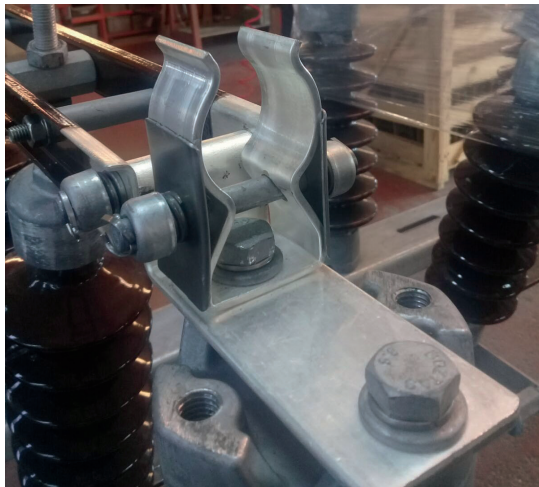


FUSE HOLDER



Piece	Product Name	Diameter	Material	Position No
2	Gupilya	Ø2,5 x 25		6
2	Aluminium Spring Ring	Ø19 x 12,5 x 1		5
2	Separator Stainless Spring	Ø2,5 x 20		4
2	Stainless Support Plate			3
1	Axis Pin	Ø9 x 86	Transmission	2
2	Copper Clamp	30 x 3 x 200	Electrolytic CU Plate	1