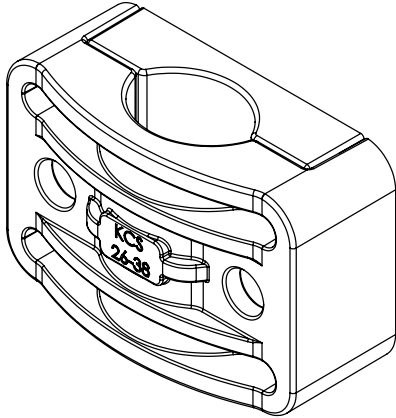


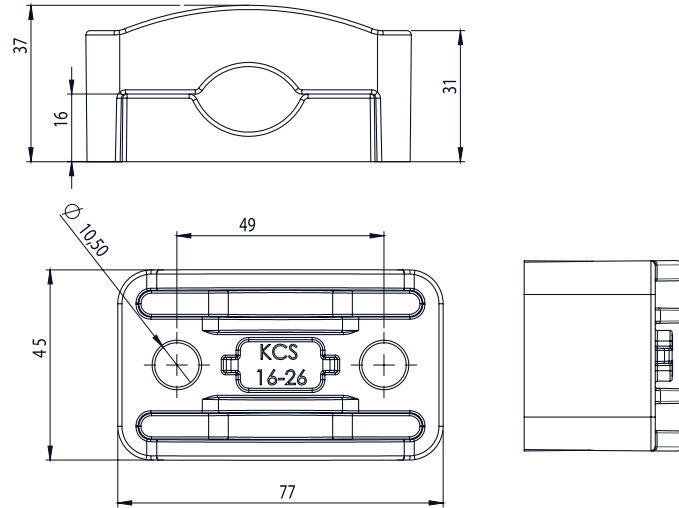
MEDIUM VOLTAGE CABLE HOLDER

* Our tested cable cleats in accordance with the Standard IEC 61914:2015 are suitable against high short circuit levels.

* Glass fibre reinforced polyamide, fire resistant, high UV and chemical resistance, halogen-free and fully recyclable.



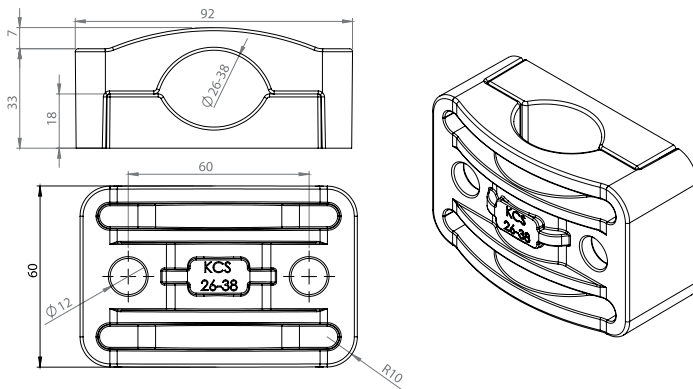
KCS 16-26



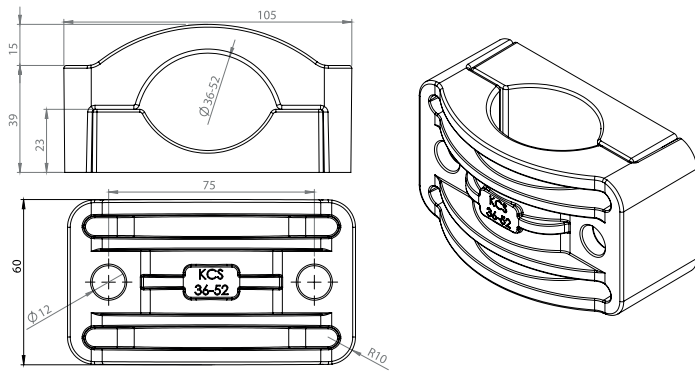
Custom production is available upon request

No	Code	Description	Box Qty.
1	KCS 16-26	16 - 26 MV Cable Holder	210
2	KCS 26-38	26 - 38 MV Cable Holder	140
3	KCS 36-52	36 - 52 MV Cable Holder	100
4	KCS 50-76	50 - 76 MV Cable Holder	60
5	KCS 75-100	75 - 100 MV Cable Holder	20

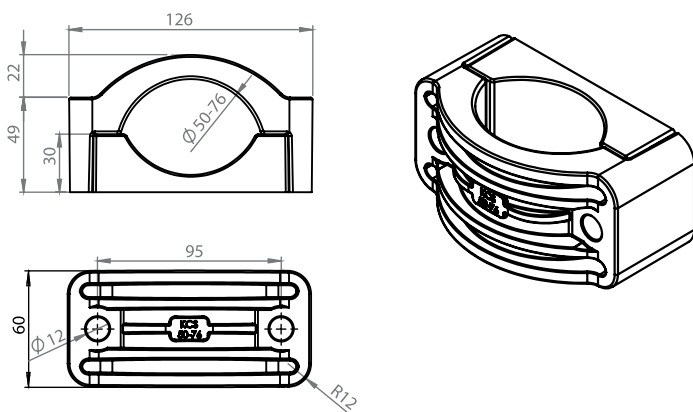
KCS 26-38



KCS 36-52



KCS 50-76



KCS 75-100

